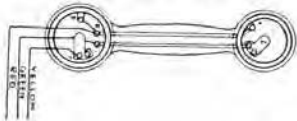
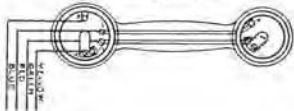


# STROMBERG-CARLSON

## Wiring Diagram of No. 15 Handset

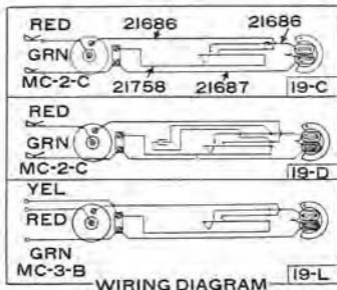


**STROMBERG-CARLSON**  
**Wiring Diagram of**  
**No. 16 Handset**



## STROMBERG-CARLSON

## NUMBER 19 HANDSET



Code No.

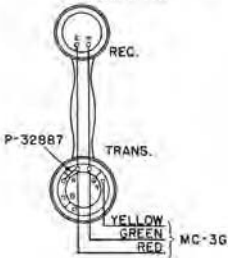
Description

- 19-C** Used with Central Energy Systems as a test set or as an extension Telephone. Equipped with a 2 conductor Duratex Cord, MC-2C 6'0"
- 19-D** Used for testing and service observation in machine ringing systems. Equipped with a condenser and 2 conductor Duratex Cord, MC-2C 6'0"
- 19-L** Used on No. 843 Test Set portable field telephone. Equipped with 3 conductor Duratex Cord, MC-3B 6'0"

HS 20

# STROMBERG-CARLSON

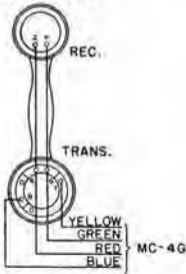
WIRING DIAGRAM  
HANDSET # 20



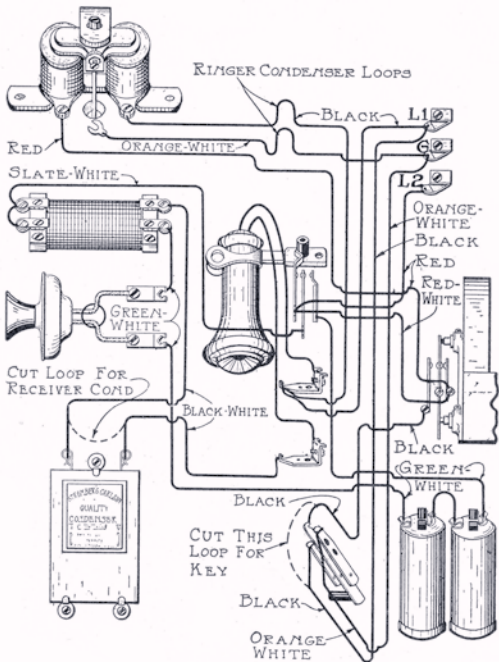
**HS 21**

# STROMBERG-CARLSON

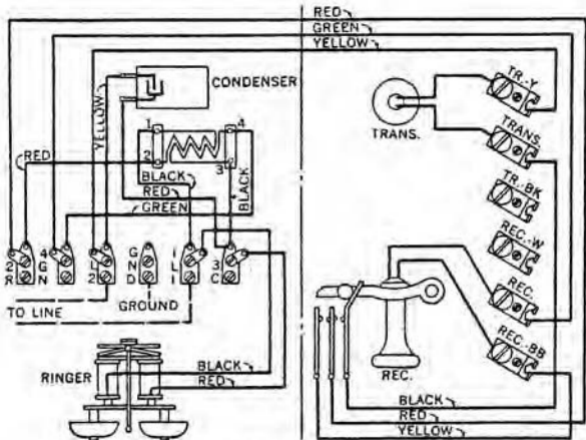
## WIRING DIAGRAM HANDSET # 21



# STROMBERG-CARLSON

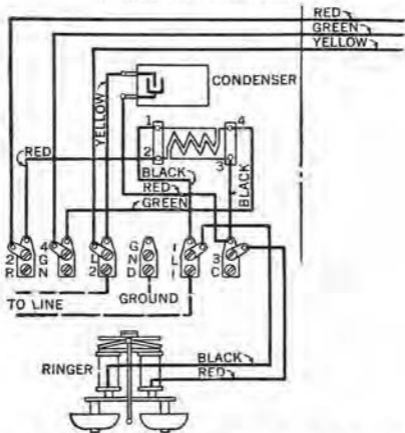


**No. 896 Wood Wall Telephone  
Wiring Diagram**



**Wiring Diagram of No. 1155 Type Wall Telephone**

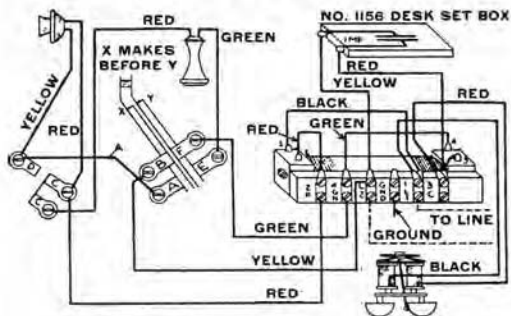
# STROMBERG-CARLSON



**Wiring Diagram of 1156 Desk Set Box and  
Desk Stand Telephone**

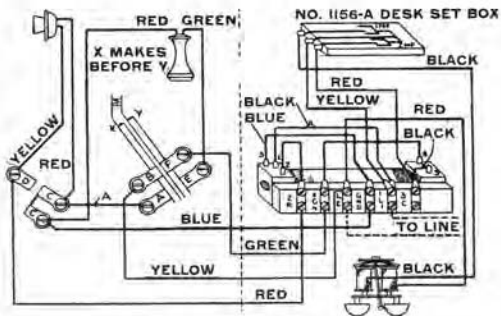
STROMBERG-CARLSON  
**WIRING DIAGRAMS**

**FOR No. 1182 TELEPHONE, MANUAL  
 TYPE, BOOSTER CIRCUIT**



**NOTE: FOR SIDE TONE REDUCTION REVERSE RED AND  
 YELLOW CONDUCTORS ON CONNECTING RACK**

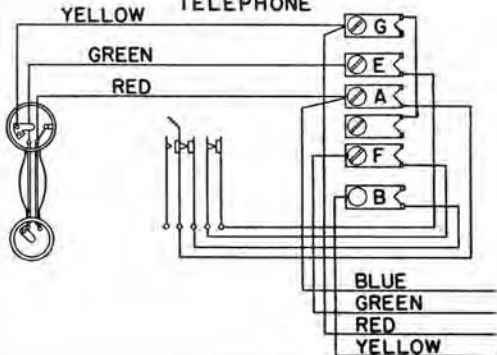
**No. 1182-A TELEPHONE, MANUAL,  
 ANTI-SIDE-TONE CIRCUIT**



**NOTE: WHEN 1182-A TEL. IS USED WITH 1156 BELL BOX  
 CONNECT RED OF LINE CORD TO L-2 AND YEL-  
 LOW OF LINE CORD TO 2-R.**

STROMBERG-CARLSON

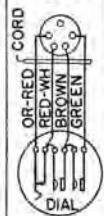
WIRING DIAGRAM  
FOR THE 1201-CA  
TELEPHONE



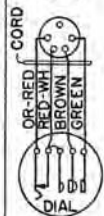
# Wiring Diagram of No. 1211-A Telephone

STROMBERG CARLSON TEL. MFG. CO.  
WIRING DIAGRAM NO.1211-A TELEPHONE

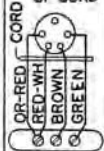
PLUG ON END OF DIAL CORD



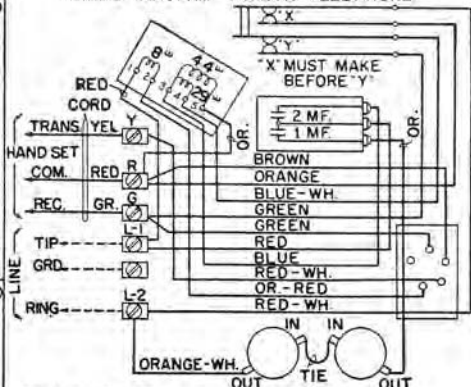
PLUG ON END OF DIAL CORD



MANUAL PLUG END OF CORD



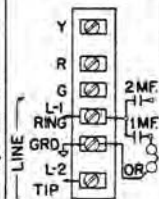
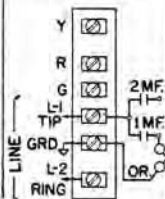
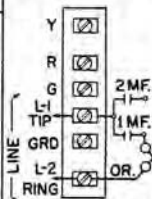
REMOVE TERM. BLOCK WHEN DIAL IS USED



NOTE: TO CHANGE FROM BRIDGED TO DIVIDED CIRCUIT RINGING REMOVE ORANGE WIRE FROM 'L-2' AND PLACE ON 'GRD.' AS SHOWN BELOW FOR TIP OR RING STATION.

BRIDGED CIRCUIT RINGING

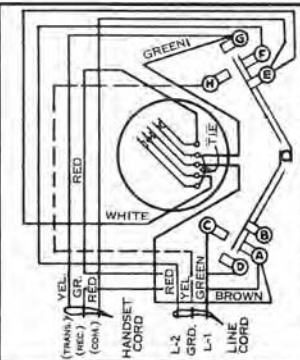
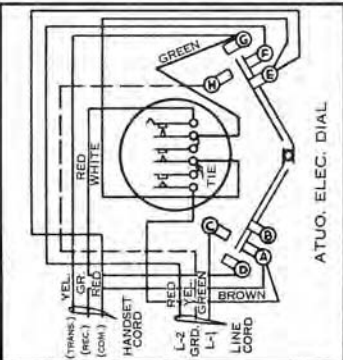
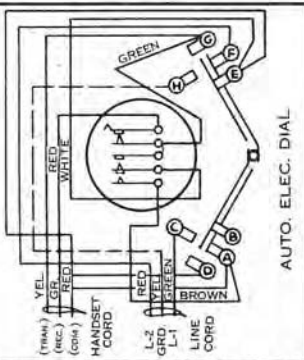
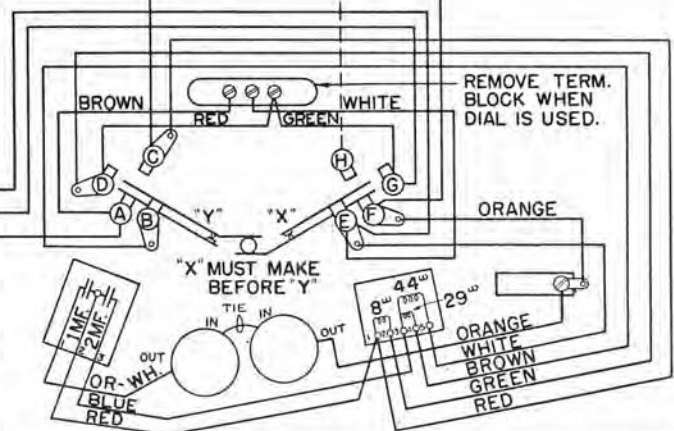
DIVIDED CIRCUIT RINGING  
TIP STATION      RING STATION



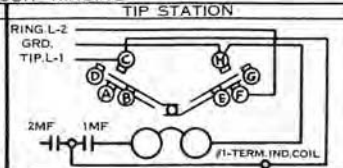
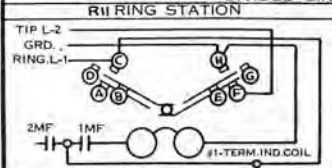
(L-2) RED  
(GRD.) YELLOW  
(L-1) GREEN  
LINE CORD

(COM.) RED  
(TRANS.) YELLOW  
(REC.) GREEN  
HANDSET CORD

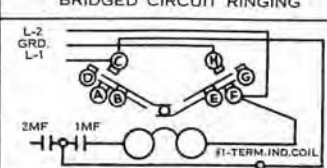
FOR BRIDGED RINGING:  
IF RINGER TAPS WHEN  
DIALING, REVERSE LINE  
CONNECTIONS AND  
ADJUST BIAS TENSION.



**DIVIDED CIRCUIT RINGING**

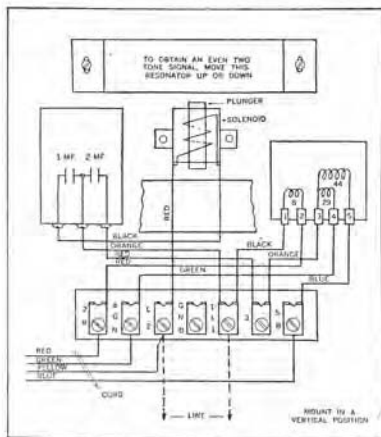


**BRIDGED CIRCUIT RINGING**

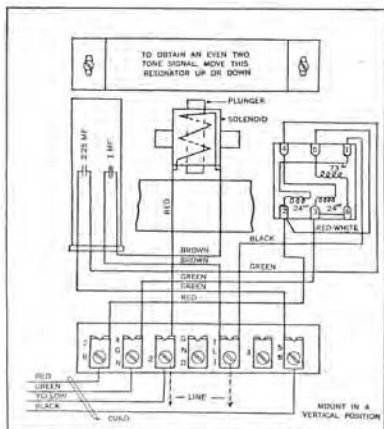


NOTE—TO CHANGE FROM BRIDGED TO DIVIDED CIRCUIT RINGING, REMOVE ORANGE WIRE FROM TERM. "F" AND PLACE ON TERM. "H" AS SHOWN ABOVE FOR TIP AND #1-TERM. IND. COIL.

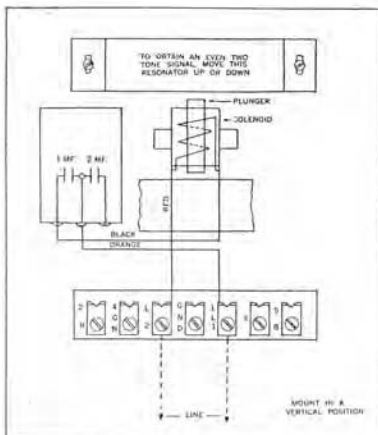
# STROMBERG-CARLSON



**Wiring Diagram of No. 1217-A and No. 1218-A Chime Signal Boxes**



**Wiring Diagram of No. W-1218-A Chime Signal Box**



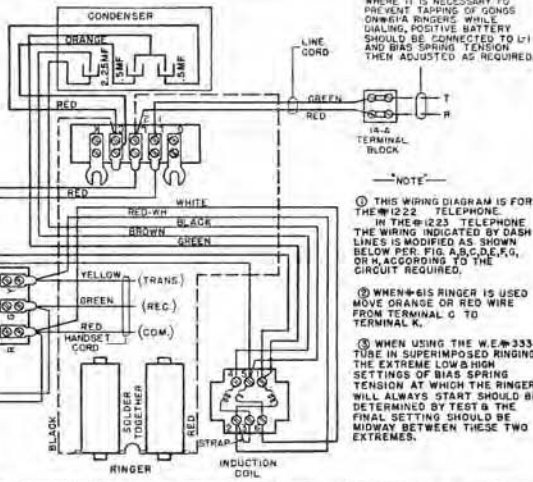
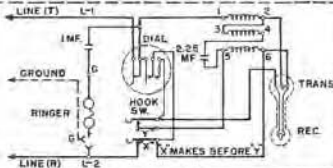
**Wiring Diagram of No. 1220-A Chime Signal Box**

TO CONVERT FROM MANUAL TYPE TO DIAL TYPE TELEPHONE REMOVE TERMINAL BLOCK AND REWIRE LEADS TO DIAL AS SHOWN.

HOOK SWITCH



TERMINAL BLOCK



IN BRIDGED CIRCUIT WHERE IT IS NECESSARY TO PREVENT TAPPING OF COILS ON DIAL RINGERS WHILE DIALING, POSITIVE BATTERY SHOULD BE CONNECTED TO L1 AND BIAS SPRING THEN ADJUSTED AS REQUIRED.

NOTE

① THIS WIRING DIAGRAM IS FOR THE #1222 TELEPHONE. IN THE #1223 TELEPHONE THE WIRING INDICATED BY DASH LINES IS MODIFIED AS SHOWN BELOW PER FIG. A, B, C, D, E, F, G, OR H, ACCORDING TO THE CIRCUIT REQUIRED.

② WHEN #615 RINGER IS USED MOVE ORANGE OR RED WIRE FROM TERMINAL G TO TERMINAL K.

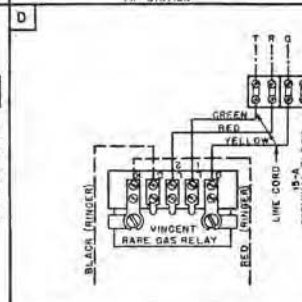
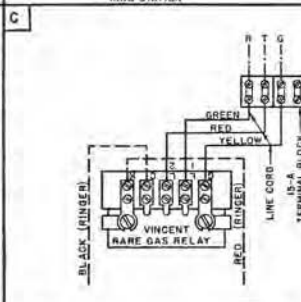
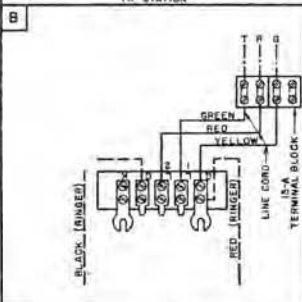
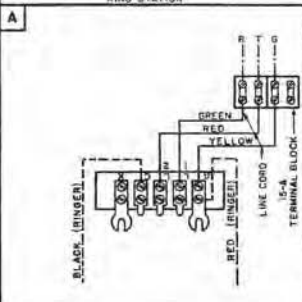
③ WHEN USING THE W.E.#333A TUBE IN SUPERIMPOSED RINGING THE EXTREME LOW & HIGH SETTINGS OF BIAS SPRING TENSION AT WHICH THE RINGER WILL ALWAYS START SHOULD BE DETERMINED BY TEST & THE FINAL SETTING SHOULD BE MIDWAY BETWEEN THESE TWO EXTREMES.

METHOD OF CONNECTING #1223 TELEPHONE FOR DIVIDED CIRCUIT RINGING

METHOD OF CONNECTING #1223 TELEPHONE EQUIPPED WITH VINCENT RARE GAS RELAY FOR DIVIDED CIRCUIT RINGING

RING STATION

TIP STATION



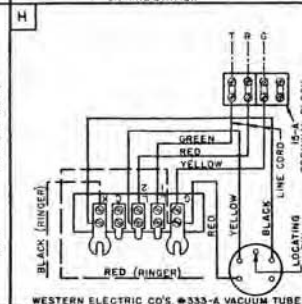
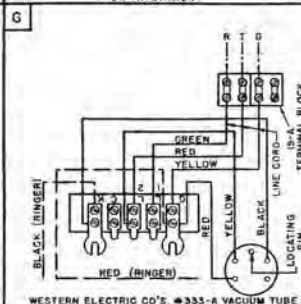
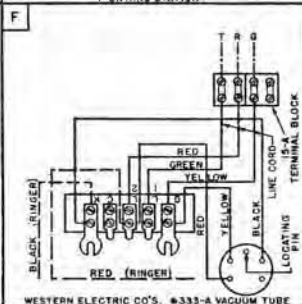
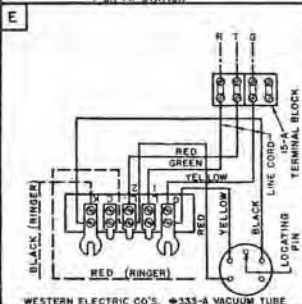
METHOD OF CONNECTING #1223 TELEPHONE EQUIPPED WITH WESTERN ELECTRIC CO.'S #333-A VACUUM TUBE FOR PULSATING OR SUPERIMPOSED RINGING (SEE NOTE 3)

+ ON TIP STATION

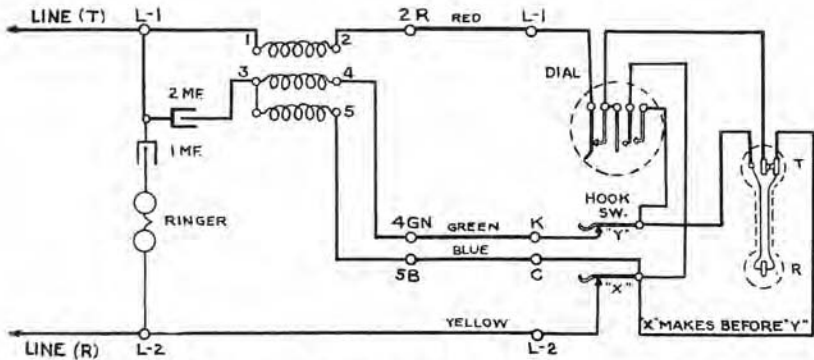
+ ON RING STATION

- ON TIP STATION

- ON RING STATION

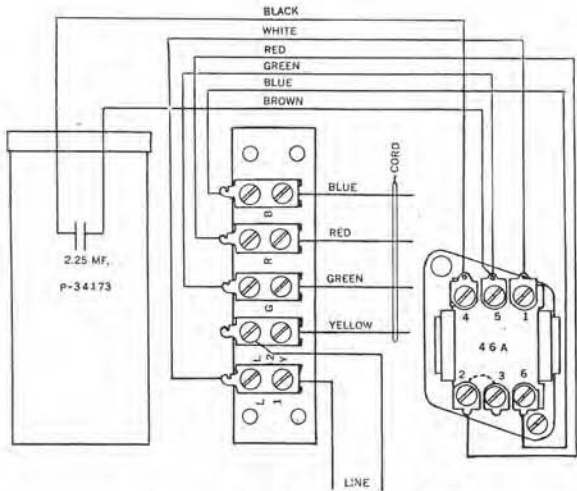


# STROMBERG-CARLSON

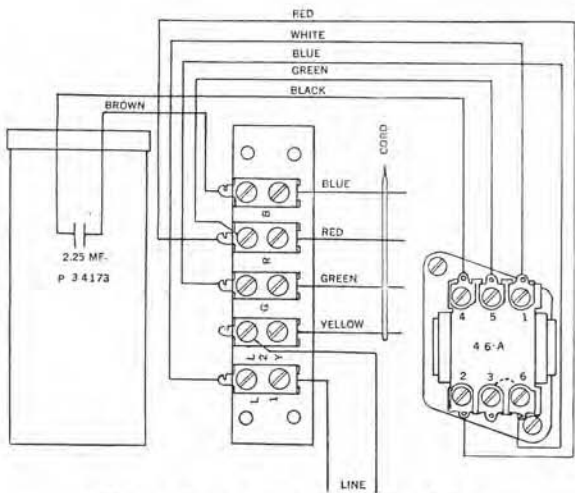


**No. 1224-A Telephone connected to a Desk Set Box No. 1156-ADB**

# STROMBERG-CARLSON

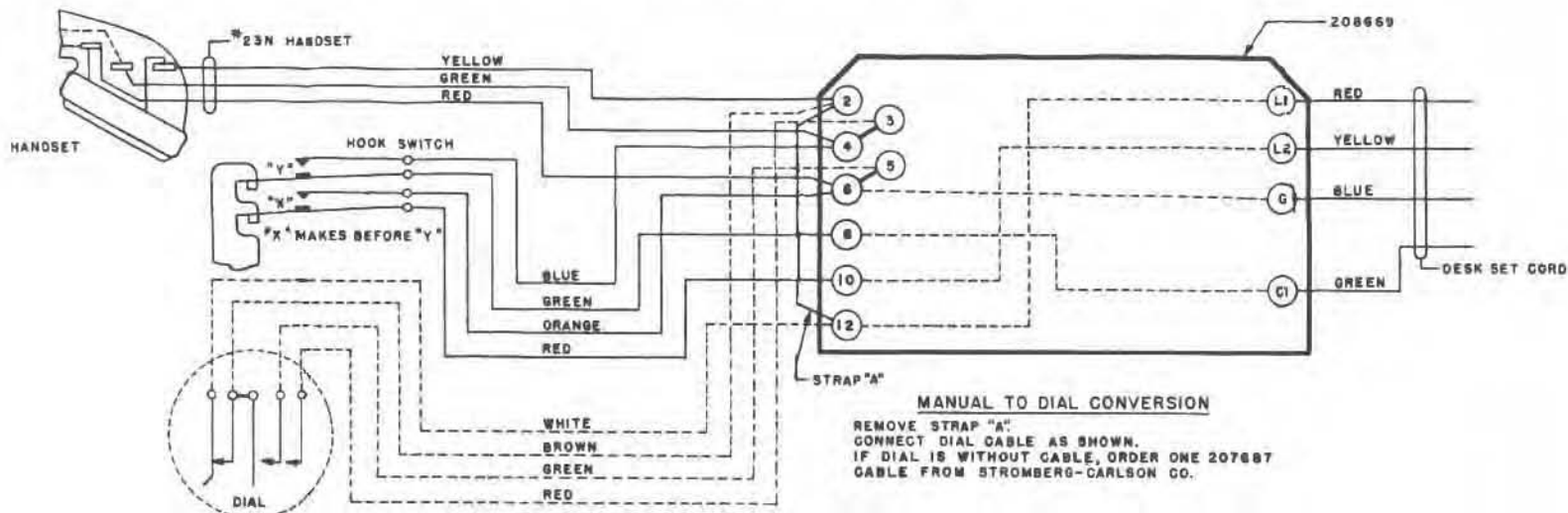


**Wiring Diagram of No. 1226 Desk Set Box**

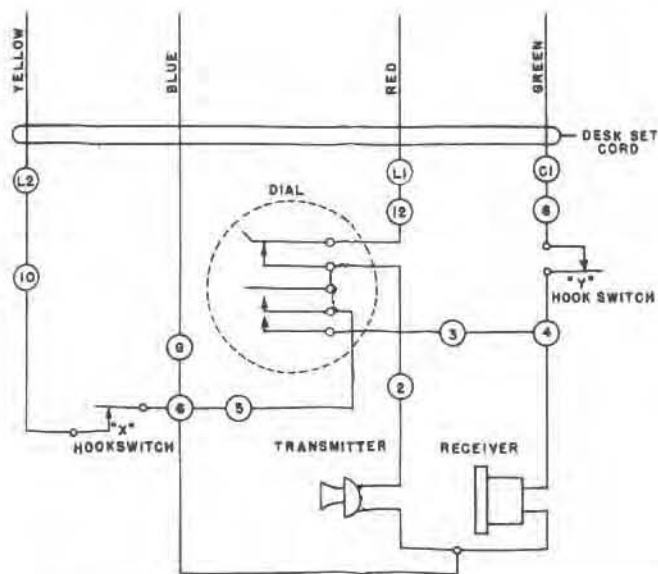


**Wiring Diagram of No. W-1226 Desk Set Box**

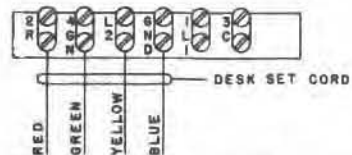
STROMBERG-CARLSON CO. WIRING AND CONNECTIONS FOR 1444 TELEPHONES.



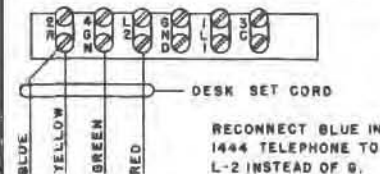
SCHMATIC CIRCUIT



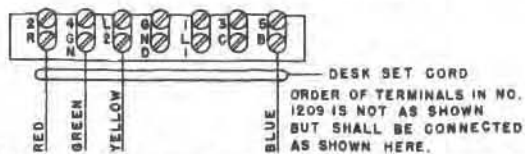
NO. 1156-A DESK SET BOX



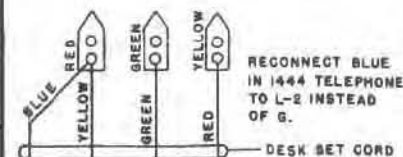
NO'S. 1156 & 1167 DESK SET BOXES.



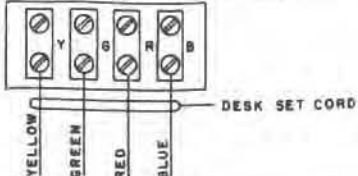
NO'S. 1156-AD, 1167-A, 1209, 1217-A, 1218-A DESK SET BOXES



NO. 1180 DESK SET BOX



NO. 1230 DESK SET BOX

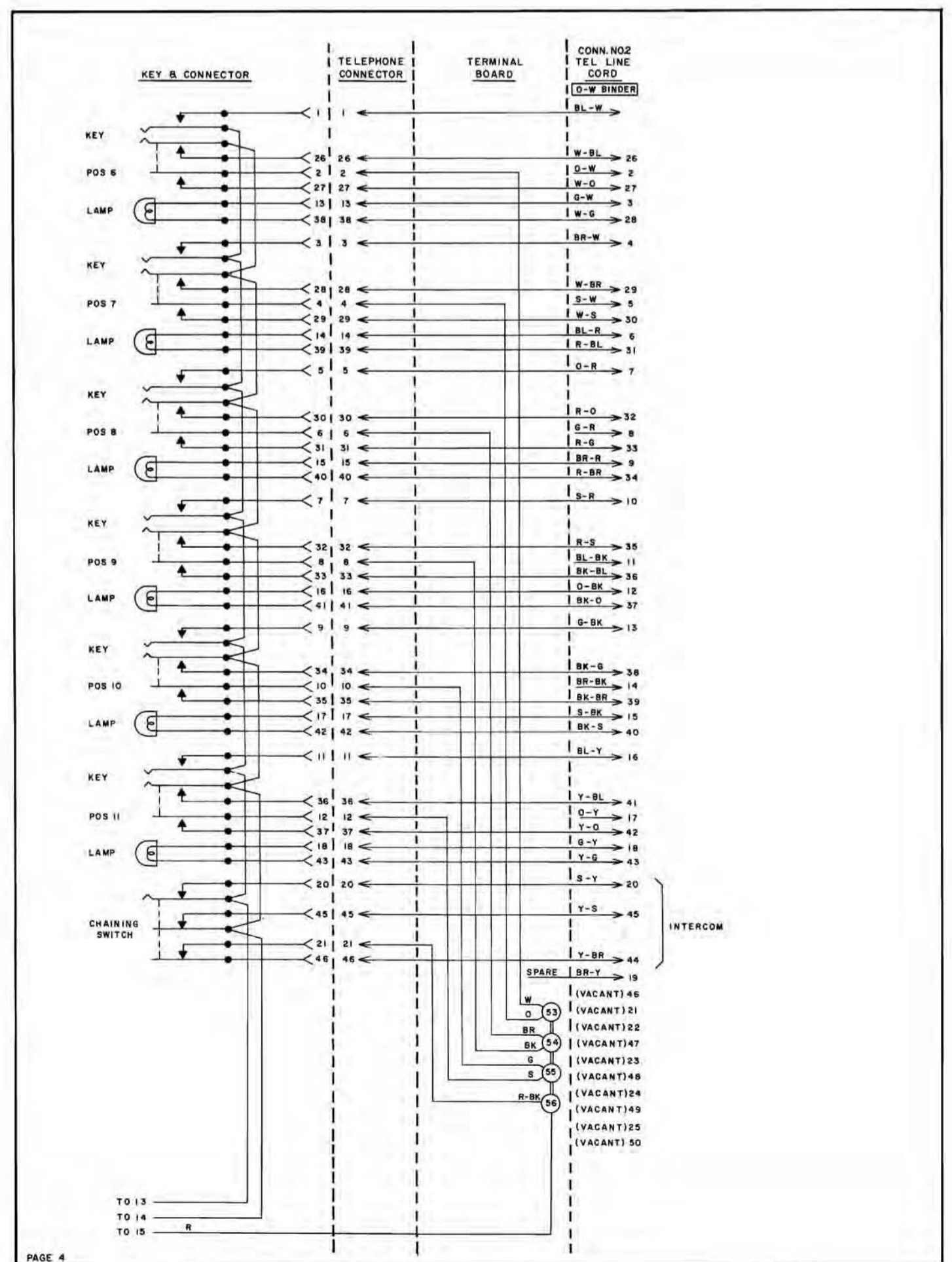
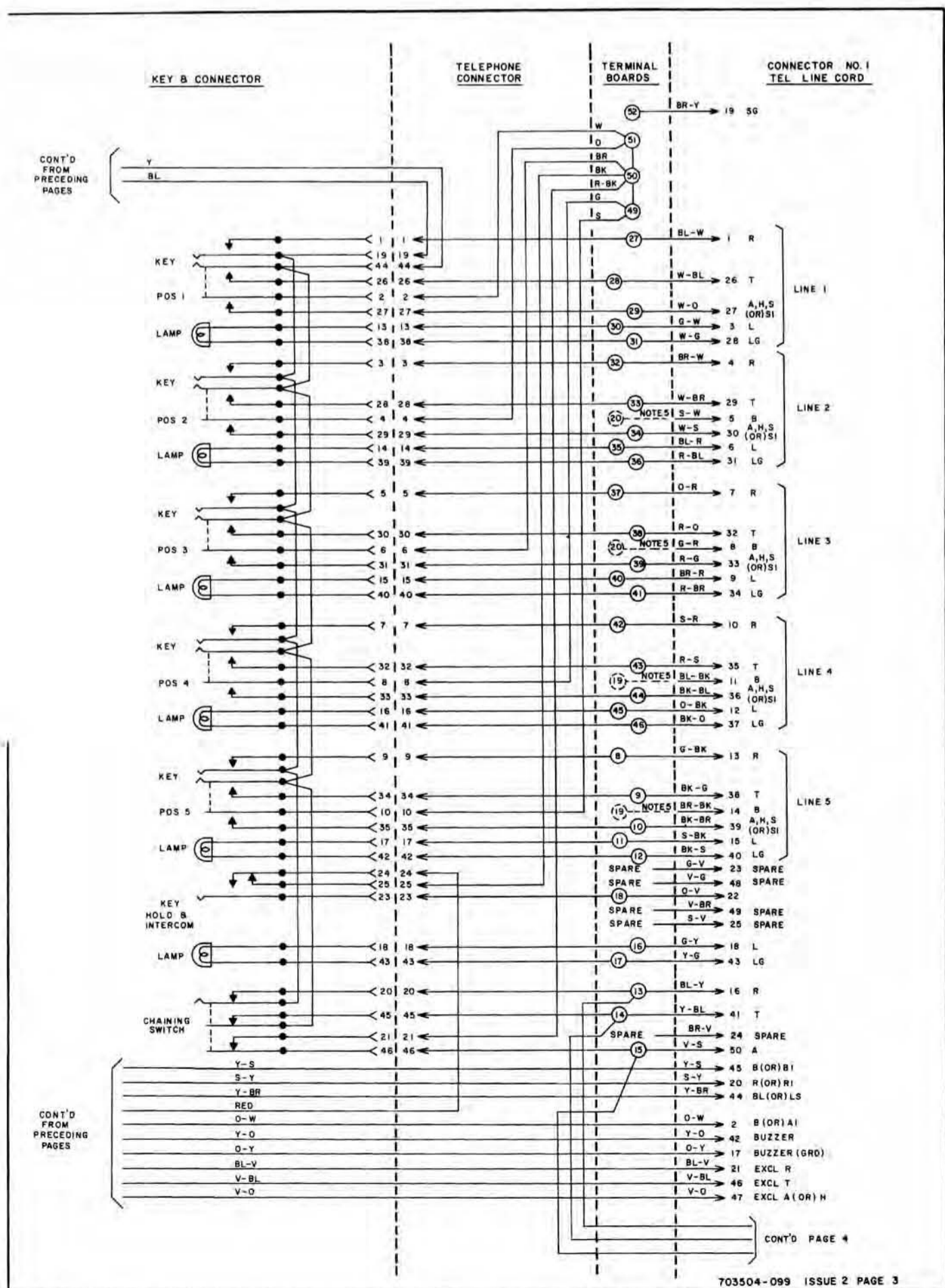
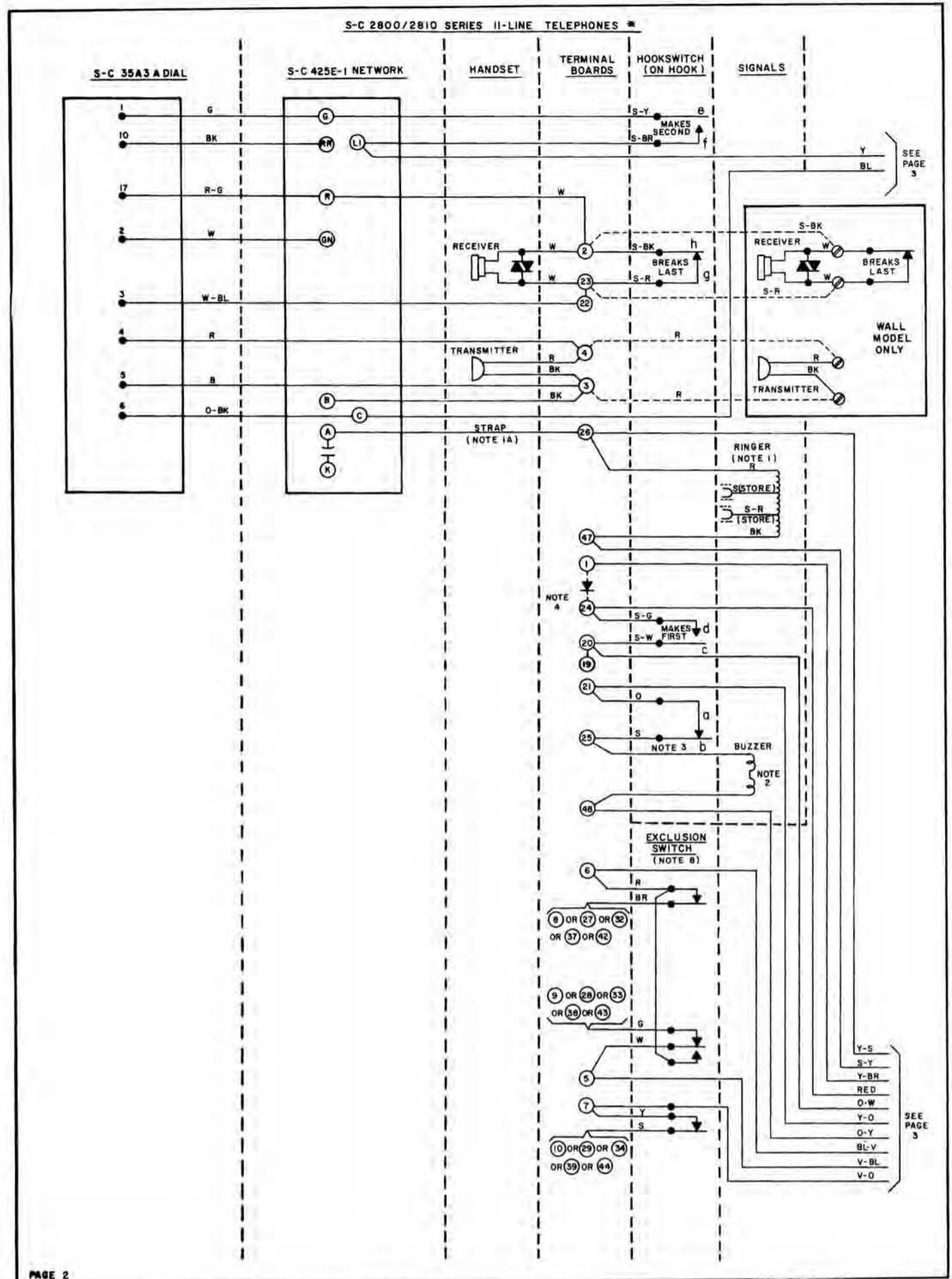
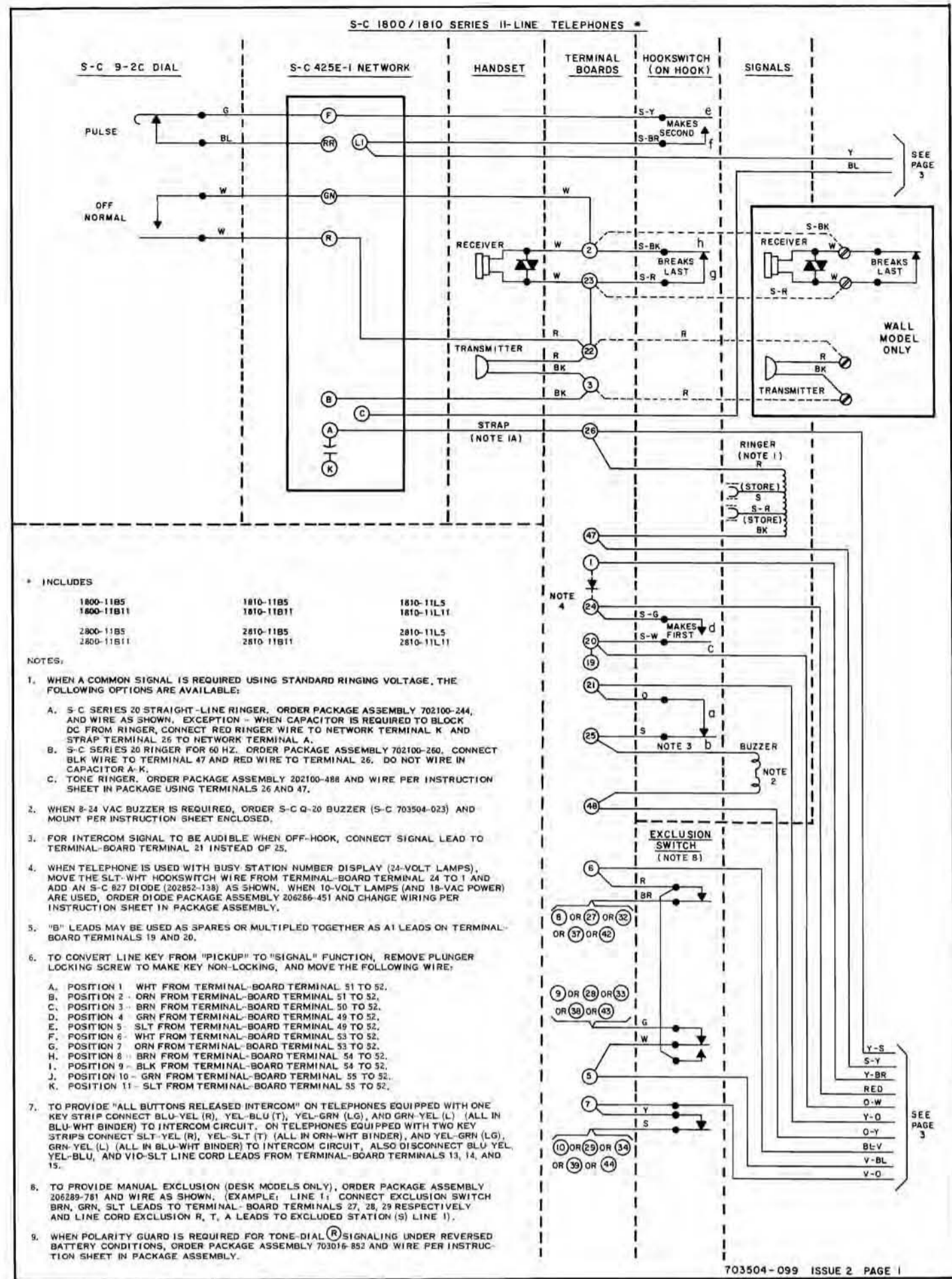


SEE 205835 [2] FOR 1268 DESK SET BOX.  
 DESK SET CORD CONNECTION SAME AS FOR 1244.  
 HANDSET CORD IN 1444 MUST BE RECONNECTED AS FOLLOWS; YELLOW TO 4, GREEN TO 6, RED TO 2.

SEE 205834 FOR 1260 DESK SET BOX.  
 SEE 208668 FOR 1460 DESK SET BOX.

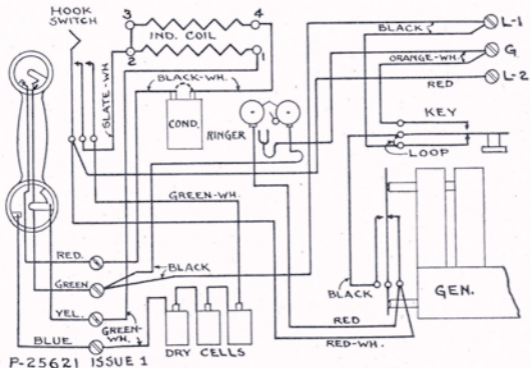
208641

ISSUE NO. 1



# STROMBERG-CARLSON

## MAGNETO WALL PHONE (HANDSET TYPE)



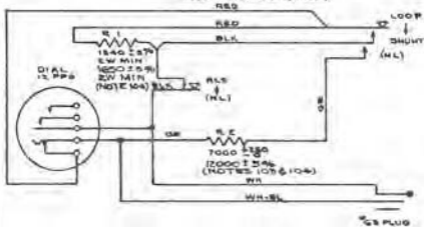
### Wiring Diagram

D-2843 and D-2844 Wood Handset Telephones

# STROMBERG CARLSON 482058 TEST SET PULSING LIMITS

FIG. 1, 2 OR 3

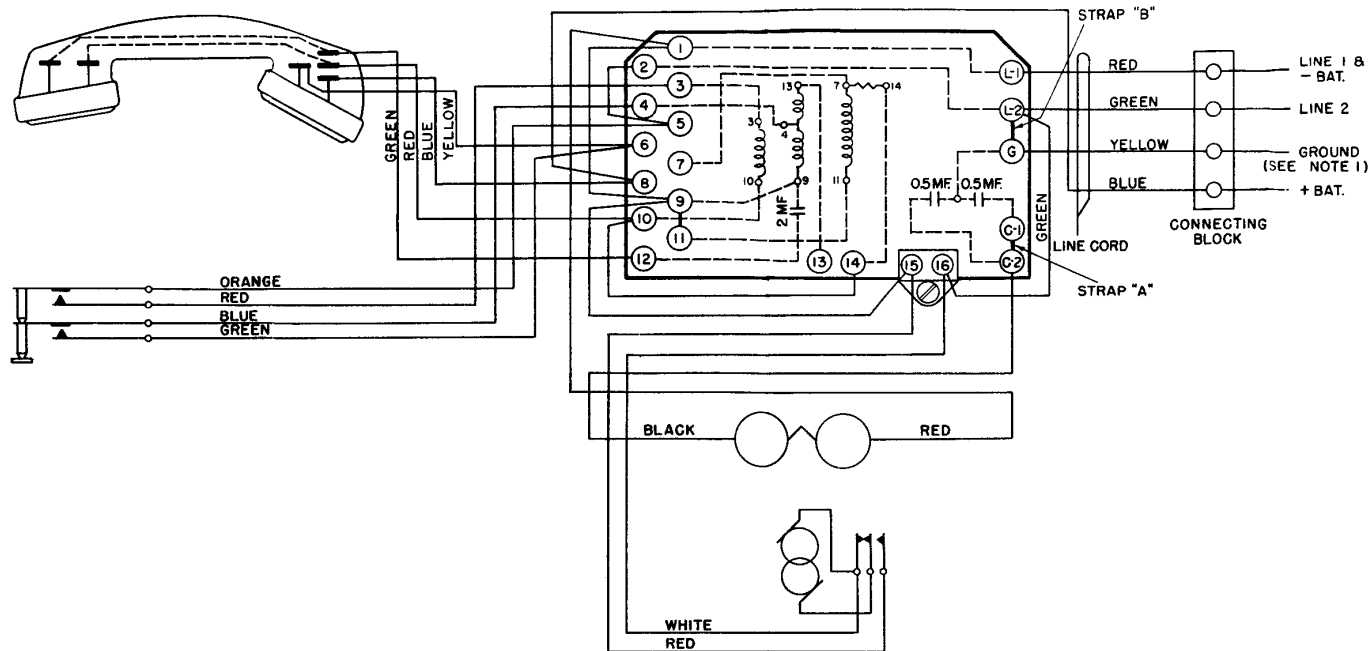
(SEE NOTE 103 & 104)



NOTES:

- 101- SEE DS-3017E FOR CIRCUIT DESCRIPTION
- 102-DIAL IS ADJUSTED TO 121 PERCENT ± 38 1/2 ± 1/2 PERCENT MAKE
- 103-FIG 1 HAS R-2 RESISTOR 7000 ± 5%
- FIGS 2 & 3 HAVE R-2 RESISTOR 12000 ± 5%
- 104-FIGS 1 & 2 HAVE R-1 RESISTOR 1340 ± 5%
- FIG. 3 HAS R-1 RESISTOR 1450 ± 5%

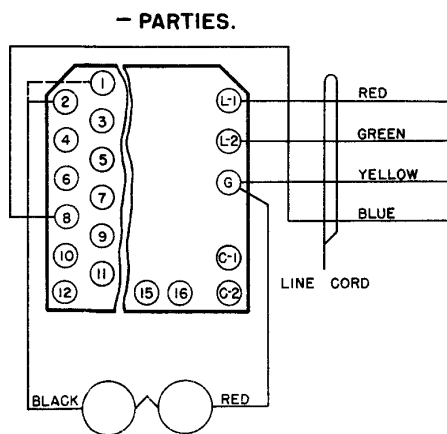
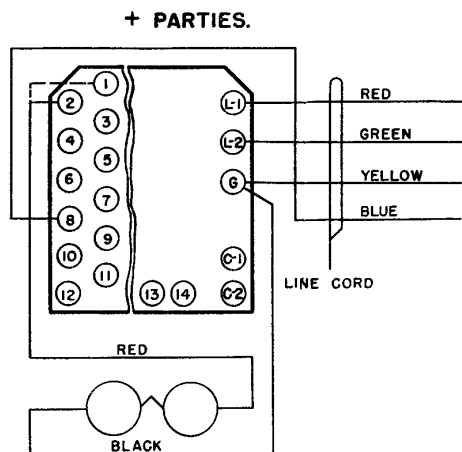
CONNECTIONS FOR SPECIAL 1248-W TELEPHONE.  
RINGER CODES A, B, S.



NOTES:

1. GROUND IS NOT TO BE CONNECTED ON INDIVIDUAL AND CODE RINGING LINES.
2. WHEN "S" RINGER IS USED REMOVE STRAP "A".

RINGER CONNECTIONS 2 AND 4 PARTY SELECTIVE.



NOTES:

1. REMOVE STRAP "B".
2. + PARTY LINE 1 - RED OF RINGER TO 1. BLACK TO G.
3. + PARTY LINE 2 - RED OF RINGER TO 2. BLACK TO G.
4. - PARTY LINE 1 - BLACK OF RINGER TO 1. RED TO G.
5. - PARTY LINE 2 - BLACK OF RINGER TO 2. RED TO G.